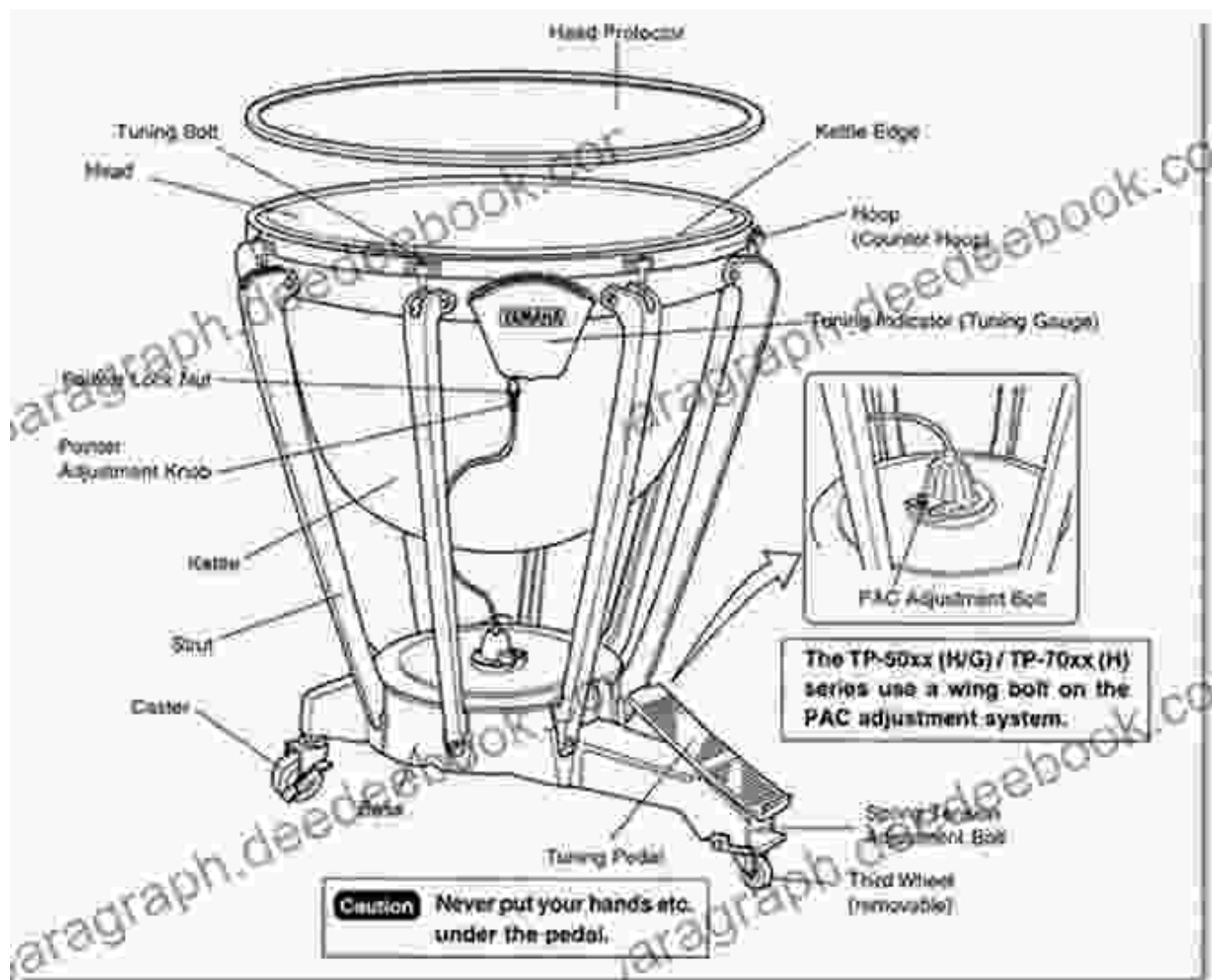
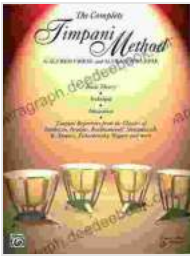


The Complete Timpani Method: A Comprehensive Guide to Master the Art of Timpani Playing

Embark on an immersive journey into the world of timpani with "The Complete Timpani Method," a definitive guide that unlocks the secrets of this captivating instrument.

Chapter 1: Understanding the Instrument





The Complete Timpani Method: Basic Theory * Technique * Intonation * Timpani Repertoire from the Classics by Led Zeppelin

★★★★☆ 4.9 out of 5

Language : English

File size : 55635 KB

Screen Reader: Supported

Print length : 160 pages



Begin your exploration with a thorough overview of the timpani, its anatomy, and the principles behind its unique sound production. Learn about the role of the shell, head, and tuning mechanism in shaping the instrument's timbre and range.

Chapter 2: Basic Technique and Rudiments



Master the fundamentals of timpani playing with clear and concise instructions on hand position, grip, and stroke techniques. Practice a series of essential rudiments that lay the foundation for more advanced techniques.

Chapter 3: Tuning and Intonation



Explore the intricacies of timpani tuning, including the use of tuning keys and the role of harmonics in precise pitch adjustment. Understand the relationship between head tension and pitch, ensuring accurate intonation across all registers.

Chapter 4: Solo and Orchestral Repertoire



Delve into a diverse collection of timpani solos and orchestral excerpts, ranging from Baroque to modern compositions. Analyze the technical and musical challenges specific to each piece, enhancing your interpretive skills.

Chapter 5: Care and Maintenance



Preserve the integrity and longevity of your timpani with detailed guidance on proper care and maintenance. Learn about head replacement, lubrication, and storage techniques to ensure optimal performance over time.

Chapter 6: Advanced Techniques



Elevate your timpani playing with an exploration of advanced techniques such as rolls, flams, and double strokes. Discover innovative approaches to sound production, expanding your sonic palette.

Chapter 7: Performance Practice



Prepare for successful timpani performances with insights into ensemble playing, rehearsal strategies, and stage presence. Learn about the importance of communication, rhythm, and coordination in creating a cohesive musical experience.

Chapter 8: Pedagogy and Teaching

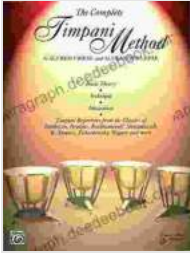


Share the joy of timpani playing with aspiring musicians. Explore teaching methodologies, lesson planning, and assessment strategies specifically tailored for timpani students. Foster a love for the instrument and cultivate the next generation of timpanists.

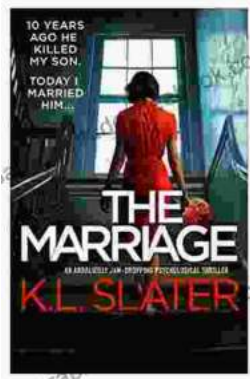
With "The Complete Timpani Method" as your guide, unlock the full potential of this magnificent instrument. From basic technique to advanced techniques, you'll gain a comprehensive understanding of the timpani and develop your skills to play with confidence and artistry. Whether you're a beginner, an experienced player, or an educator, this definitive guide will inspire and empower you on your musical journey.

**The Complete Timpani Method: Basic Theory *
Technique * Intonation * Timpani Repertoire from the
Classics** by Led Zeppelin

★★★★☆ 4.9 out of 5



Language : English
File size : 55635 KB
Screen Reader: Supported
Print length : 160 pages



The Marriage: An Absolutely Jaw-Dropping Psychological Thriller That Will Leave You on the Edge of Your Seat

In the realm of psychological thrillers, *The Marriage* stands out as a masterpiece of suspense and deception. This gripping novel, crafted by the masterful...



Discover the Enchanting Charm of Budapest and Its Environs: A Comprehensive Travel Guide

Nestled in the heart of Central Europe, Budapest is a vibrant and captivating city that exudes a rich tapestry of history, culture, and charm. From the...